



PRODUCT TECHNICAL SPECIFICATIONS

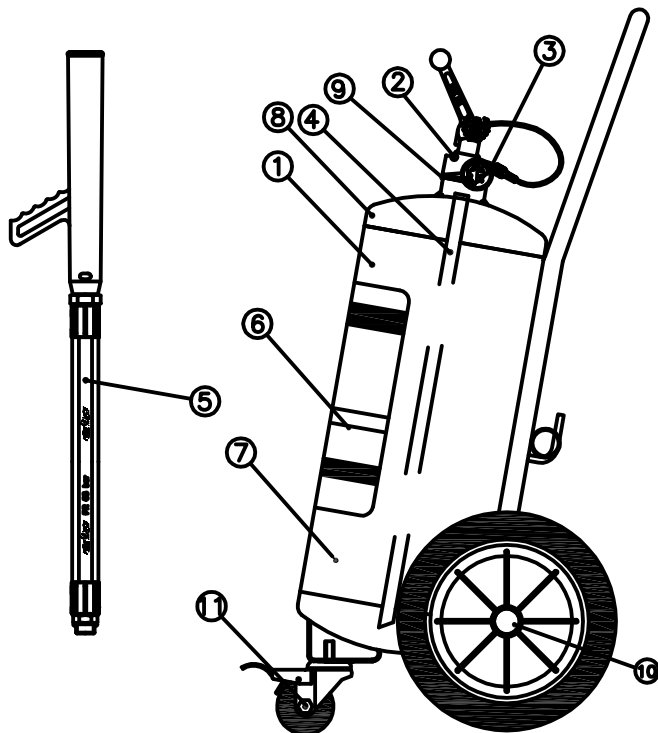
N° TP-183
 REV. 0
 DATE: 16-03-16

PRODUCT:
 MOBILE FIRE EXTINGUISHER 50 L WATER

TYPE: MOBILE
 EXTINGUISHER WATER
 CODE: FIEWM502

FEATURES:
 Mobile fire extinguisher permanently pressurized water with additives,
 in rechargeable steel cylinder.

SCHEMA:



REGULATIONS AND REGISTERS

- Pressure Equipment Directive 97/23/EC;
- Pressure Equipment Regulations;
- Regulation of fire protection facilities;
- ES UNE-EN 1866;
- ES EN 10130: Cold-rolled low carbon steel flat products;
- CE mark ;
- Quality assurance according EN ISO 9001;
- Quality management system certificate.

TECHNICAL SPECIFICATIONS

Design pressure	25 bar
Test pressure	25 bar
Working pressure (20 °C)	17 bar
Load (tolerance: ± 2%)	25 L
Working temperature	5/60 °C
Propelling Load (tolerance: ± 10%)	320 g

DIMENSIONS

Height	1097 mm
Diameter	300 mm
Nominal tickness	2,5 mm
Volume	52 litros
Tare(cylind, valv and syp tube)	30,36 kg
Total mass	82,40 kg

N°	SPARE PART NAME	MATERIALS	QUANT.
1	CYLINDER FI 501 (BOTTLE + CHASSIS)	Steel plate DC-04 (plastic wrap)	1
2	VALVE FI 501	Brass, steel and rubber	1
3	GAUGE (ø 37 mm)	Chrome-plated brass	1
4	SYPHON TUBE FI W500	PVC	1
5	HOSE 5m WITH PISTOL-MACHINEGUN	Rubber, textile, steel and polypropylene	1
6	LABEL FI W502	Silkscreen or adhesive acetate	1
7	EXTINGUISHER MEDIA	Water with additives	50 L
8	PROPELLANT	Dry nitrogen (N ₂)	560 g
9	CYLINDER SEAL FI 500	Elastomer	1
10	WAGON WHEEL ø287mm FI 251	Polypropylene and synthetic rubber	2
11	THIRD WHEEL WITH BRAKE FI 251	Zinc plated steel and rubber	1

SAFETY DEVICES:
 Safety pin in handle of operation;
 Safety seal in safety pin.

COMMENTS:
 Suitable for: A, B and F fire. (Also with presence of electrical tension);
 It must not be used in D fires or reactive material (Na, K, Mg);
 Painting 100% polyester powder polymerized in oven,
 red color RAL 3000;
 The Instructions of use and maintenance must be consulted.

FIRE ICE, S.L.
 Políg. Ind. de Castellanos, parc. 302; CASTELLANOS DE MORISCOS 37439
 (Salamanca) ESPAÑA (SPAIN) Tlf 34-923361557, Fax 34-923361394

PREPARED:

 A. G. REDONDO.

APPROVED:

 J. CASTILLA C.