



# PRODUCT TECHNICAL SPECIFICATIONS

Nº TP-266

REV. 1

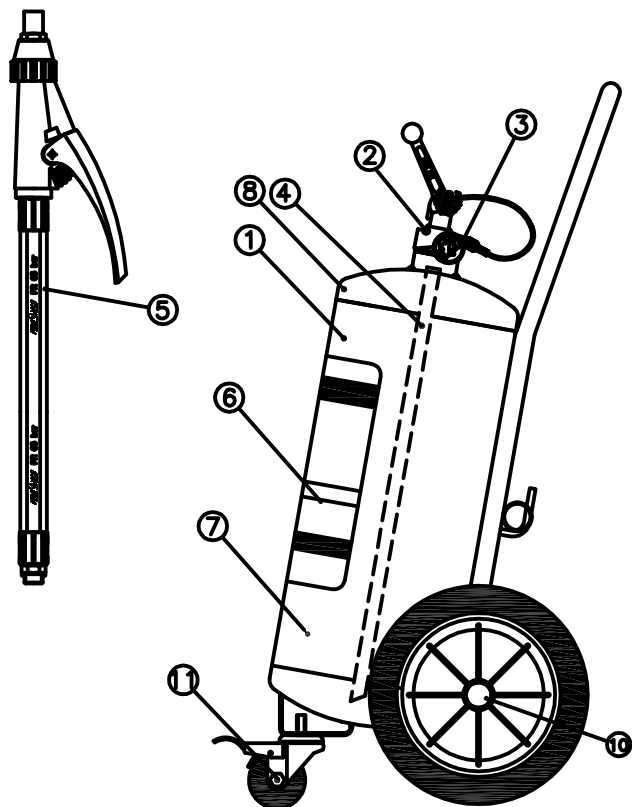
DATE: 13-02-2020

**PRODUCT:**  
MOBILE FIRE EXTINGUISHER 25 kg POWDER D

TYPE: MOBILE EXTINGUISHER  
EXTINGUISHER POWDER D  
CODE: FI251D

**FEATURES:**  
Fire Extinguisher mobile dust permanently pressurized multipurpose D  
in rechargeable steel cylinder.

**SCHEMA:**



**REGULATIONS AND REGISTERS**

- Pressure Equipment Directive 2014/68/UE;
- Pressure Equipment Regulations;
- Regulation of fire protection facilities;
- European standards UNE-EN 1866-1;
- CE mark ;
- Quality assurance according EN ISO 9001;
- Quality management system certificate.

**TECHNICAL SPECIFICATIONS**

|                                    |           |
|------------------------------------|-----------|
| Test pressure                      | 27 bar    |
| Working pressure ( 20 °C)          | 17,5 bar  |
| Load (tolerance: ± 2%)             | 25 kg     |
| Working temperature                | -20/60 °C |
| Propelling Load (tolerance: ± 10%) | 320 g     |

**DIMENSIONS**

|                                 |           |
|---------------------------------|-----------|
| Height                          | 990 mm    |
| Diameter                        | 250 mm    |
| Nominal tickness                | 2,5 mm    |
| Volume                          | 29 liters |
| Tare(cylind, valv and syp tube) | 19,51 kg  |
| Total mass                      | 46,55 kg  |

| Nº | SPARE PART NAME                    | MATERIALS                                | QUANT. |
|----|------------------------------------|--|--------|
| 1  | CYLINDER FI 251 (BOTTLE + CHASSIS) | Steel plate DC-04                        | 1      |
| 2  | VALVE FI 251                       | Brass, steel and rubber                  | 1      |
| 3  | GAUGE (ø37 mm)                     | Chrome-plated brass                      | 1      |
| 4  | SYPHON TUBE FI 250                 | PVC                                      | 1      |
| 5  | HOSE VALVE FI 501                  | Rubber, textile, steel and polypropylene | 1      |
| 6  | LABEL FI 251                       | Silkscreen or adhesive acetate           | 1      |
| 7  | EXTINGUISHER MEDIA                 | D multipurpose dry powder                | 25 kg  |
| 8  | PROPELLANT                         | Dry nitrogen (N <sub>2</sub> )           | 320 g  |
| 9  | CYLINDER SEAL FI 500               | Elastomer                                | 1      |
| 10 | WAGON WHEEL ø300mm FI 251          | Polypropylene and synthetic rubber       | 2      |
| 11 | THIRD WHEEL WITH BRAKE FI 251      | Zinc plated steel and rubber             | 1      |

**SAFETY DEVICES:**  
Safety pin in handle of operation;  
Safy seal in safety pin.

**COMMENTS:**  
Suitable for: D  
Painting 100% polyester powder polymerized in oven,  
red color RAL 3000;  
The instructions of use and maintenance must be consulted.

NEW FIRE ICE, S.L.U.  
Políg. Ind. de Castellanos, parc. 302; CASTELLANOS DE MORISCOS 37439  
(Salamanca) ESPAÑA (SPAIN) Tif 34-923361557, Fax 34-923361394

**PREPARED:**  
  
A. G. REDONDO.

**APPROVED:**  
  
J. CASTILLA C.