



# PRODUCT TECHNICAL SPECIFICATIONS

Nº TP-262

REV. 1

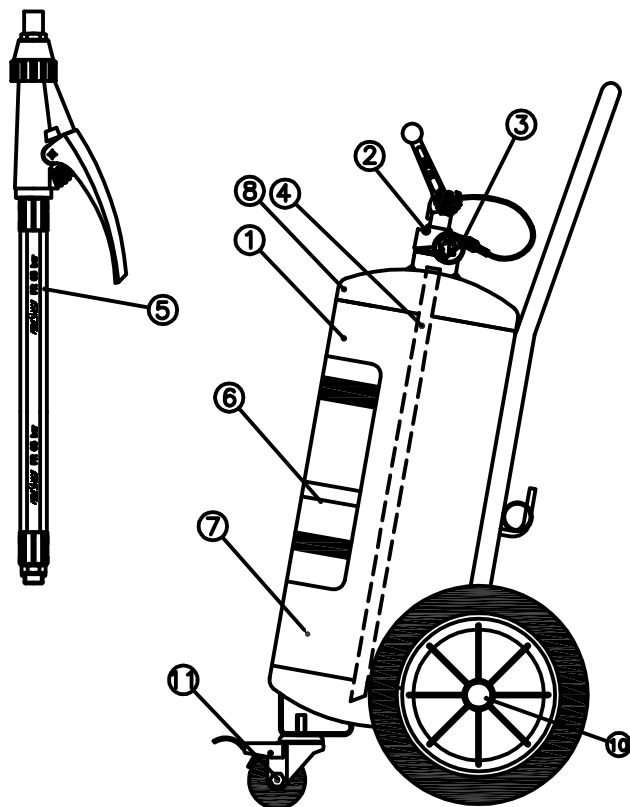
DATE: 13-02-2020

**PRODUCT:**  
MOBILE FIRE EXTINGUISHER 25 kg POWDER BC

TYPE: MOBILE EXTINGUISHER  
EXTINGUISHER POWDER BC  
CODE: FI251BC

**FEATURES:**  
Fire Extinguisher mobile dust permanently pressurized multipurpose BC  
in rechargeable steel cylinder.

**SCHEMA:**



**REGULATIONS AND REGISTERS**

- Pressure Equipment Directive 2014/68/UE;
- Pressure Equipment Regulations;
- Regulation of fire protection facilities;
- European standards UNE-EN 1866-1;
- ES EN 615. Fire extinguishing media;
- CE mark ;
- Quality assurance according EN ISO 9001;
- Quality management system certificate.

**TECHNICAL SPECIFICATIONS**

Test pressure	27 bar
Working pressure ( 20 °C)	17,5 bar
Load (tolerance: ± 2%)	25 kg
Working temperature	-20/60 °C
Propelling Load (tolerance: ± 10%)	320 g

**DIMENSIONS**

Height	990 mm
Diameter	250 mm
Nominal tickness	2,5 mm
Volume	29 liters
Tare(cylind, valv and syp tube)	19,51 kg
Total mass	46,55 kg

Nº	SPARE PART NAME	MATERIALS	QUANT.
1	CYLINDER FI 251 (BOTTLE + CHASSIS)	Steel plate DC-04	1
2	VALVE FI 251	Brass, steel and rubber	1
3	GAUGE (ø37 mm)	Chrome-plated brass	1
4	SYPHON TUBE FI 250	PVC	1
5	HOSE VALVE FI 501	Rubber, textile, steel and polypropylene	1
6	LABEL FI 251	Silkscreen or adhesive acetate	1
7	EXTINGUISHER MEDIA	BC multipurpose dry powder	25 kg
8	PROPELLANT	Dry nitrogen (N <sub>2</sub> )	320 g
9	CYLINDER SEAL FI 500	Elastomer	1
10	WAGON WHEEL ø300mm FI 251	Polypropylene and synthetic rubber	2
11	THIRD WHEEL WITH BRAKE FI 251	Zinc plated steel and rubber	1

**SAFETY DEVICES:**  
Safety pin in handle of operation;  
Safy seal in safety pin.

**COMMENTS:**  
Suitable for: B and C fire. (Also with presence of electrical tension);  
It must not be used in D fires or reactive material (Na, K, Mg);  
Painting 100% polyester powder polymerized in oven,  
red color RAL 3000;  
The instructions of use and maintenance must be consulted.

NEW FIRE ICE, S.L.U.  
Políg. Ind. de Castellanos, parc. 302; CASTELLANOS DE MORISCOS 37439  
(Salamanca) ESPAÑA (SPAIN) Tif 34-923361557, Fax 34-923361394

**PREPARED:**  
  
A. G. REDONDO.

**APPROVED:**  
  
J. CASTILLA C.