



PRODUCT TECHNICAL SPECIFICATIONS

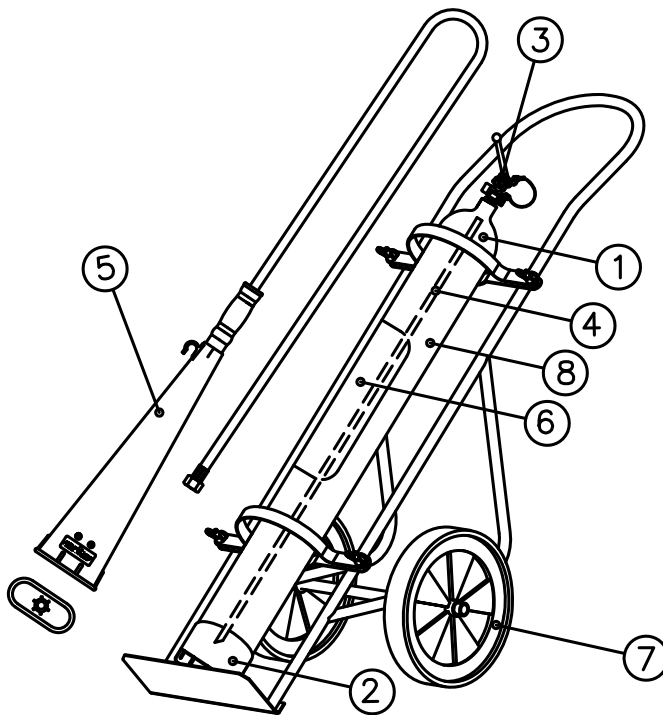
Nº	TP-44
REV.	4
DATE:	27-09-2013

PRODUCT:
10 kg CO₂ MOBILE FIRE EXTINGUISHER

TYPE: PORTABLE FIRE EXTINGUISHER CO₂
COD: FI10000

FEATURES:
Portable fire extinguisher permanently pressurized of carbon dioxide, rechargeable, in seamless alloy steel bottle.

SKETCH:



REGULATIONS AND REGISTERS

- Pressure Equipment Directive UE 97/23/CE;
- Pressure Equipment Regulations;
- Regulation of fire protection facilities;
- Directive UNE-EN 1964-1;
- European standard EN 3 (UNE 23110);
- Mark **CE**;
- Quality assurance according UNE EN ISO 9001;
- Mark product quality;
- Quality management system certificate;

THECHNICAL SPECIFICATIONS

Design pressure	250 bar
Test pressure	250 bar
Maximum working pressure	174 bar
Fire rating (efficacy)	113B
Load (tolerance: +0%, -5%)	10 kg
Working temperature	-20/60 °C
Impaired pressure security	190 bar ±10%

DIMENSIONS

Height	1293 mm
Diameter	139,7 mm
Nominal thickness	3,3 mm
Volume	14,3 liters
Tare(cylind, valv and syp tube)	15,9 kg
Total mass	26,77 kg
Filling rate	0,69 kg/l

Nº	DESCRIPTION OF THE PART	MATERIALS	QUANTITY
1	CYLINDER FI 10004	DRAWN ALLOY PIPE WITHOUT WELD	1
2	BOTTOM FI 5000	INJECTED POLYPROPYLENE	1
3	VALVE FI 10000	BRASS, STEEL AND RUBBER	1
4	SYPHON TUBE FI 10000	POLYPROPYLENE/ALUMINUM	1
5	HOSE-HORN FI 10000	POLYPROP. TEXTILE. RUBBER AND STEEL	1
6	LABEL FI 10000	PRINTTING OR ADHESIVE ACETATE	1
7	TROLLEY FI 10000 or FI 20000	STELL PIPE AND SYNTETIC RUBER	1
8	PROPELLANT EXTING. CHARGE	PURE CARBON DIOXIDE (CO ₂), REF. 1013	10 kg

SAFETY DEVICES:
Brecking disc incorporated in the valve;
Safety pin in handle of operation;
Safy seal in safety pin.

COMMENTS:
Suitable for B fire, also with presence of electrical tension;
It must not be used in D fires or reactive materials (Na, K, Mg);
Painting 100% polyester powder polymerized in oven color RAL 3000;
The instructions of use and maintenance must be consulted.

FIRE ICE, S.L.
Políg. Ind. de Castellanos, parc. 302; CASTELLANOS DE MORISCOS 37439
(Salamanca) ESPAÑA (SPAIN) Tlf 34-923361557, Fax 34-923361394

PREPARED:

A. G. REDONDO.

APPROVED:

J. CASTILLA C.