



PRODUCT TECHNICAL SPECIFICATIONS

Nº	TP-71
REV.	8
DATE:	04-03-13

PRODUCT: MOBILE FIRE EXTINGUISHER 250 kg BC POWDER

TYPE: MOBILE EXTINGUISHER POWDER BC
CODE: FI2500

FEATURES: EQUIPMENT FIRE EXTINGUISHER MOBILE DUST 250 kg BC

REGULATIONS AND REGISTERS

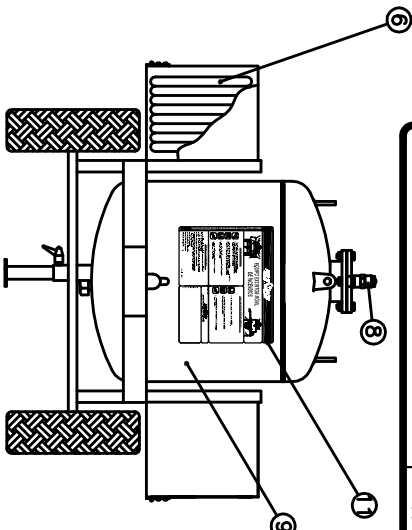
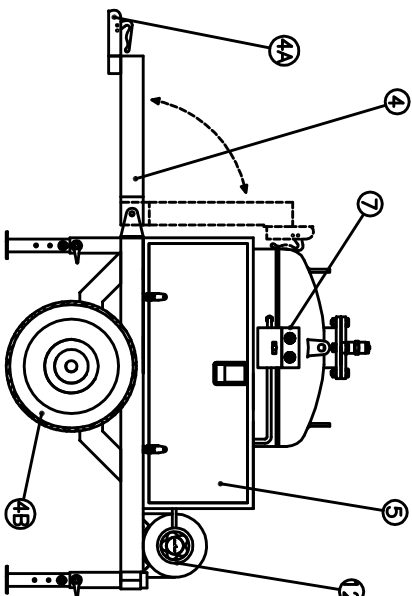
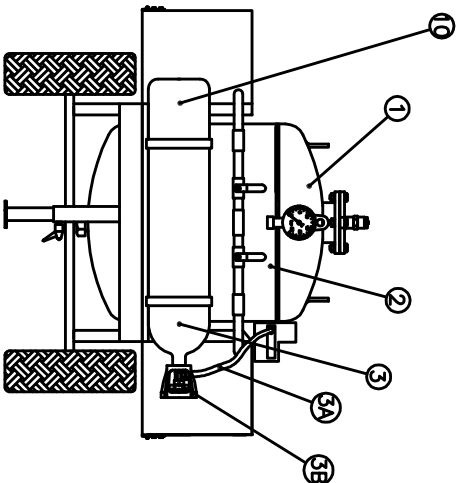
- Directive UE 97/23/EC;
- Pressure Equipment Regulations;
- Standard UNE-EN 1866;
- Regulation of fire protection facilities;
- Standard UNE-EN 615: Fire extinguishing media;
- Standard UNE-EN 10130 Cold-rolled low carbon steel flat products;
- Mark CE 0053;
- Quality assurance according s/ UNE-EN ISO 9001;
- Quality management system certificate.

THECHINICAL SPECIFICATIONS

Design pressure	21 bar
Test pressure	21 bar
Working pressure (20 °C)	15 bar
Load (tolerance: ± 2%)	250 kg
Working temperature	-30/60 °C
Propelling Load (tolerance: ± 10%)	26,8 liters

DIMENSIONS

Total length	2,00 m
Folding length	1,20 m
Width	1,55 m
Hight	1,65 m
Empty weight	310 kg
Gross weight	555 kg
Volume	285 liters



Nº	SPARE PART NAME	MATERIALS	QUANT.
1	TANK FI 2500	Carbon Steel	1
2	POWDER CIRCULATION CIRCUIT BC	Stainless steel	1
3	NITROGEN CYLINDER	Alloy steel	1
3A	CYLINDER PIPE TO THE TANK CONNECTION	Stainless steel	1
3B	NITROGEN VALVE	Brass, aluminum, steel and elastomer	1
4	FOLDING TRAILER	Carbon steel painted in black	1
4A	HOOK VEHICLE	Carbon steel zinc plated	1
4B	PNEUMATIC TIRE AND RIM	Rubber and carbon steel	1
5	HOSE CABINET	Rubber steel and stainless steel	2
6	HOSE WITH SUBMACHINE GUN	Carbon reinforced with textile more polyamide	2
7	PRESSURE REDUCER MORE PROTECTIVE CASE	Several	1
8	SAFETY VALVE	Brass, steel and elastomer	1
9	LOAD EXTINGUISHING	Dry chemical powder BC	250 kg
10	PROPELLANT	Dry nitrogen (N)	26,8 liters
11	LABEL INSTRUCTIONS FI 2500	Silkscreen or adhesive acetate	1
12	PROTECTIVE CAP	Hardened plastic ABS	1

SAFETY DEVICES:

- Safety valve tarred 20 bar.
- Safety seal in opening valves

COMMENTS:

Suitable for B and C fire (Also with presence electrical tension); It must not be used in D fires or reactive material (Na, K, Mg); Painting 100% polyester powder polymerized in oven, red color RAL 3000 and black color RAL 9005; The instructions of use and maintenance must be consulted;

FIRE ICE, S.L.

Poñig. Ind. de Castellanos, parc. 302; CASTELLANOS DE MORISCONS 37439 (Salamanca) ESPAÑA (SPAIN) Tlf.34-923361557, Fax 34-923361394

PREPARED:

A. G. REDONDO.

APPROVED:

J. CASTILLA C.