



PRODUCT TECHNICAL SPECIFICATIONS

Nº TP-40

REV. 7

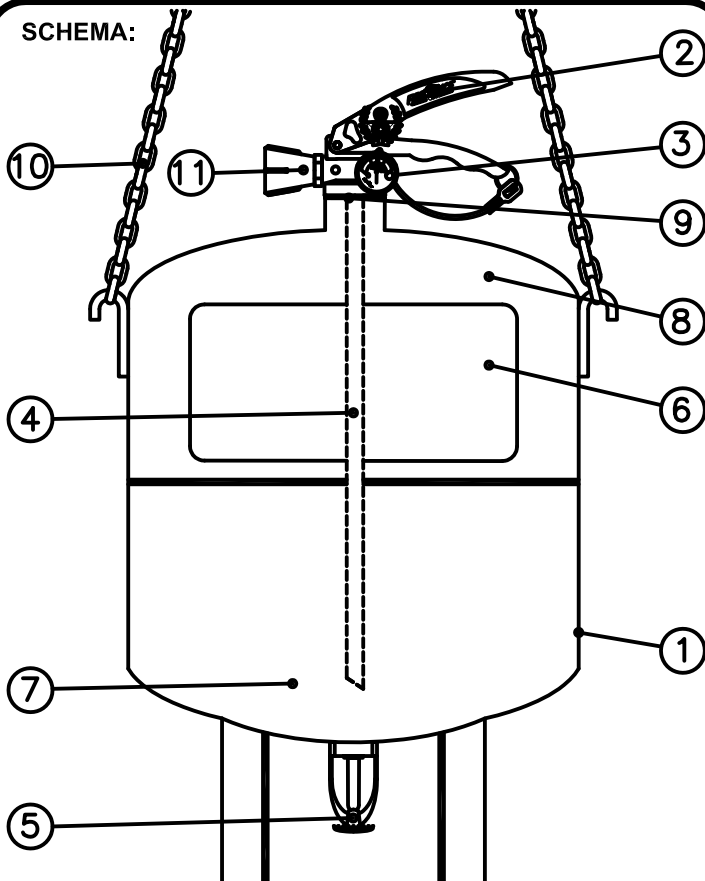
DATE: 04-03-13

PRODUCT:
AUTOMATIC EXTINGUISHER 9 kg ABC POWDER

TYPE: AUTOMATIC FIRE EXTINGUISHER POWDER ABC
CODE: FIAT90

FEATURES:
Permanently pressurized, multipurpose powder automatic fire extinguisher in rechargeable steel cylinder.

SCHEMA:



REGULATIONS AND REGISTERS

- Pressure Equipment Directive UE 97/23/CE;
- Pressure Equipment Regulations;
- Regulation of fire protection facilities;
- European standard EN 3 (UNE 23110);
- ES UNE-EN 615. Fire extinguishing media;
- ES UNE-EN 10130: Cold-rolled low carbon steel flat products;
- Mark **CE**;
- Quality assurance according UNE-EN ISO 9001;
- Mark product quality;
- Quality management system certificate.

TECHNICAL SPECIFICATIONS

Design pressure	25 bar
Test pressure	25 bar
Working pressure (20 °C)	17 bar
Load (tolerance: ± 2%)	9 kg
Working temperature	-20/60 °C
Propelling Load (tolerance: ± 10%)	160g

DIMENSIONS

Height	468 mm
Diameter	260 mm
Nominal tickness	2 mm
Volume	14,8 liters
Tare(cylind, valv and syp tube)	5,95 kg
Total mass	15,05 kg

Nº	SPARE PART NAME	MATERIALS	QUANT.
1	CYLINDER FI AT90	Steel plate DC-04	1
2	VALVE FI 60	Brass, steel and rubber	1
3	GAUGE (ø27 mm)	Chrome-plated brass	1
4	SYPHON TUBE FI AT60	PVC	1
5	SPRINKLER FI AT60	Brass, fuse blister	1
6	LABEL FI AT90	Silkscreen or adhesive acetate	1
7	EXTINGUISHER MEDIA	ABC multipurpose dry powder	9 kg
8	PROPELLANT	Dry nitrogen (N ₂)	160 g
9	CYLINDER SEAL FI60	Elastomer	1
10	CHAIN FI AT90	Steel zinc	1
11	SPRAY NOZZLE FI AT60	Polypropylene	1

SAFETY DEVICES:
Safety pin in handle of operation;
Safety seal in safety pin;
Fuse blister the 57 °C.

COMMENTS:
Suitable for: A, B and C fire. (Also with presence of electrical tension);
It must not be used in D fires or reactive material (Na, K, Mg);
Painting 100% polyester powder polymerized in oven, red color RAL 3000;
The instructions of use and maintenance must be consulted.

FIRE ICE, S.L.
Políg. Ind. de Castellanos, parc. 302; CASTELLANOS DE MORISCOS 37439
(Salamanca) ESPAÑA (SPAIN) Tif 34-923361557, Fax 34-923361394

PREPARED:
A. G. REDONDO.

APPROVED:
J. CASTILLA C.