



PRODUCT TECHNICAL SPECIFICATIONS

Nº TP-73

REV. 7

DATE: 04-03-13

PRODUCT: FIRE EXTINGUISHER MOBILE DUST 50 kg BC
"K PURPLE" TOWNHOUSE pressure 1.7 kg of CO₂

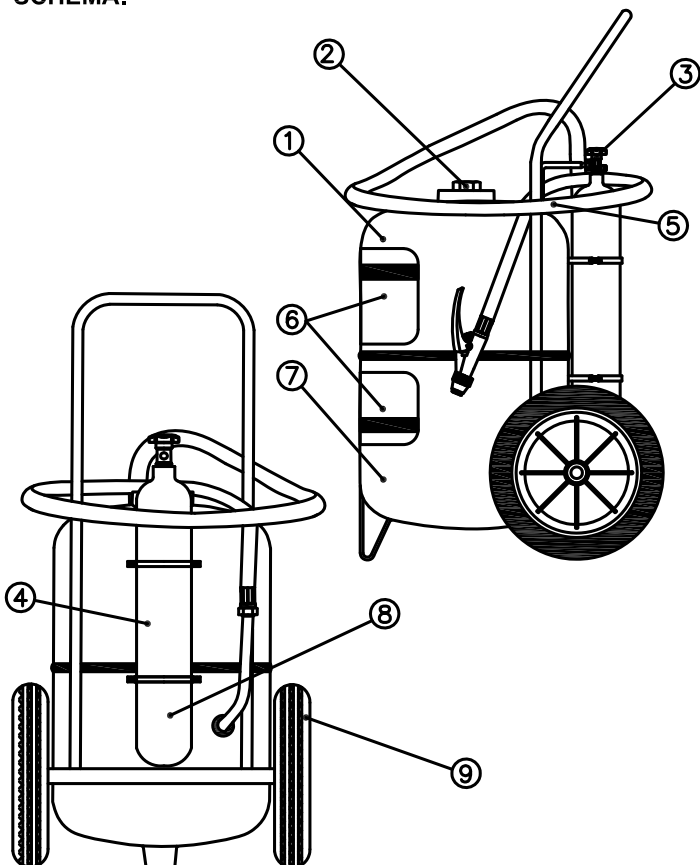
TYPE: MOBILE EXTINGUISHER
POWDER BC "PURPLE K"

CODE: FI502PA

FEATURES:

Fire Extinguisher Mobile 50 kg of powder BC "Purple K" load
Firefighting, in rechargeable steel container with attached pressure of 1.7 kg of propellant CO₂

SCHEMA:



REGULATIONS AND REGISTERS

- Pressure Equipment Directive 97/23/EC;
- Pressure Equipment Regulations;
- Regulation of fire protection facilities;
- ES UNE-EN 1866;
- ES EN 615. Fire extinguishing media;
- ES EN 10130: Cold-rolled low carbon steel flat products;
- UNE-EN 1964-1;
- CE mark ;
- Quality assurance according EN ISO 9001;
- Mark product quality;
- Quality management system certificate.

TECHNICAL SPECIFICATIONS

Design pressure	30 bar
Test pressure	30 bar
Working pressure	20 bar
Load (tolerance: ± 2%)	50 kg
Working temperature	-20/60 °C
Propelling Load (tolerance: ± 10%)	1,7 kg

DIMENSIONS

Height	962 mm
Diameter	400 mm
Nominal thickness	3 mm
Volume	68,50 liters
Tare(cylind, valv and syp tube)	37,14 kg
Total mass	89,18 kg

Nº	SPARE PART NAME	MATERIALS	QUANT.
1	CYLINDER FI 502PA (BOTTLE + CHASSIS)	Steel plate DD-12	1
2	SAFETY VALVE (TARED 20bar) FI 502PA	Chromed Brass	1
3	BOTTLE VALVE 3/4" FI 5000	Brass, steel and rubber	1
4	EXTINGUISHER 1,7 kg (with wheel valve 3/4")	Drawn alloy pipe without weld	1
5	HOSE VALVE FI 501	Rubber, textile, steel and polypropylene	1
6	LABEL FI 502PA (upper and lower)	Silkscreen or adhesive acetate	1
7	EXTINGUISHER MEDIA BC "PURPLE K"	BC "Purple K" multipurpose dry powder	50 kg
8	PROPELLANT	Pure carbon dioxide, ref. 1013 CO ₂	1,7 kg
9	WAGON WHEEL ø300 mm FI 251	Polypropylene and syntetic rubber	2

SAFETY DEVICES:

Safety valve (tared 20 bar);
Brecking disc incorporated in the valve;

COMMENTS:

Suitable for B and C fire. (Also with presence of electrical tension);
It must not be used in D fires or reactive material (Na, K, Mg);
Painting 100% polyester powder polymerized in oven,
red color RAL 3000;
The instructions of use and maintenance must be consulted;

FIRE ICE, S.L.
Políg. Ind. de Castellanos, parc. 302; CASTELLANOS DE MORISCOS 37439
(Salamanca) ESPAÑA (SPAIN) Tlf 34-923361557, Fax 34-923361394

PREPARED:

A. G. REDONDO.

APPROVED:

J. CASTILLA C.