



# PRODUCT TECHNICAL SPECIFICATIONS

Nº TP-52

REV. 8

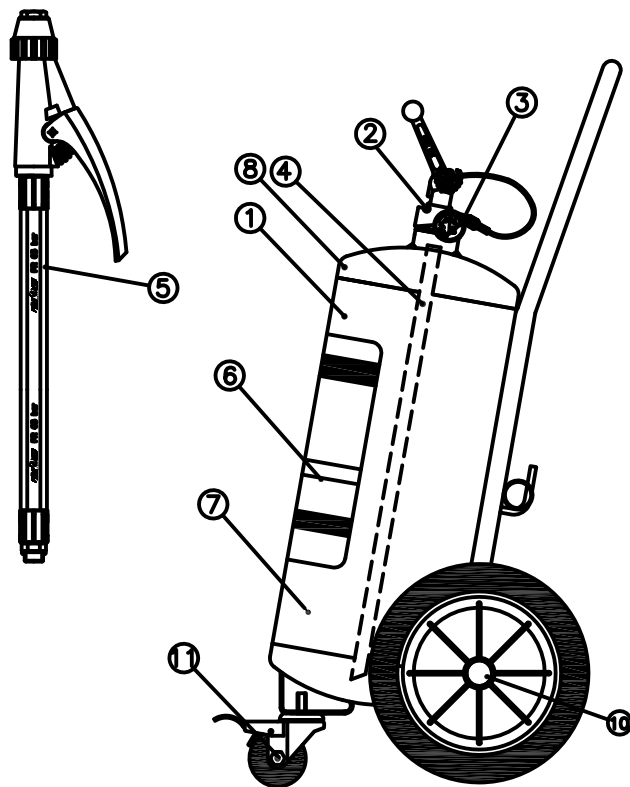
DATE: 18-11-14

**PRODUCT:**  
MOBILE FIRE EXTINGUISHER 25 kg ABC POWDER

TYPE: MOBILE  
EXTINGUISHER POWDER ABC  
CODE: FI251

**FEATURES:**  
Fire Extinguisher mobile dust permanently pressurized multipurpose  
in rechargeable steel cylinder.

**SCHEMA:**



**REGULATIONS AND REGISTERS**

- Pressure Equipment Directive 97/23/EC;
- Pressure Equipment Regulations;
- Regulation of fire protection facilities;
- ES UNE-EN 1866;
- ES EN 615. Fire extinguishing media;
- ES EN 10130: Cold-rolled low carbon steel flat products;
- CE mark  $\text{CE}$  ;
- Quality assurance according EN ISO 9001;
- Mark product quality;
- Quality management system certificate.

**TECHNICAL SPECIFICATIONS**

Design pressure	25 bar
Test pressure	25 bar
Working pressure ( 20 °C)	17 bar
Fire rating (efficacy)	34A IVB
Load (tolerance: $\pm 2\%$ )	25 kg
Working temperature	-20/60 °C
Propelling Load (tolerance: $\pm 10\%$ )	320 g

**DIMENSIONS**

Height	990 mm
Diameter	250 mm
Nominal tickness	2,5 mm
Volume	29 liters
Tare(cylind, valv and syp tube)	19,51 kg
Total mass	46,55 kg

Nº	SPARE PART NAME	MATERIALS	QUANT.
1	CYLINDER FI 251 (BOTTLE + CHASSIS)	Steel plate DC-04	1
2	VALVE FI 251	Brass, steel and rubber	1
3	GAUGE ( $\varnothing 37$ mm)	Chrome-plated brass	1
4	SYPHON TUBE FI 250	PVC	1
5	HOSE VALVE FI 501	Rubber, textile, steel and polypropylene	1
6	LABEL FI 251	Silkscreen or adhesive acetate	1
7	EXTINGUISHER MEDIA	ABC multipurpose dry powder	25 kg
8	PROPELLANT	Dry nitrogen ( $N_2$ )	320 g
9	CYLINDER SEAL FI 500	Elastomer	1
10	WAGON WHEEL $\varnothing 300$ mm FI 251	Polypropylene and synthetic rubber	2
11	THIRD WHEEL WITH BRAKE FI 251	Zinc plated steel and rubber	1

**SAFETY DEVICES:**  
Safety pin in handle of operation;  
Safety seal in safety pin.

**COMMENTS:**  
Suitable for: A, B and C fire. (Also with presence of electrical tension);  
It must not be used in D fires or reactive material (Na, K, Mg);  
Painting 100% polyester powder polymerized in oven,  
red color RAL 3000;  
The instructions of use and maintenance must be consulted.

FIRE ICE, S.L.  
Políg. Ind. de Castellanos, parc. 302; CASTELLANOS DE MORISCOS 37439  
(Salamanca) ESPAÑA (SPAIN) Tif 34-923361557, Fax 34-923361394

**PREPARED:**  
A. G. REDONDO.

**APPROVED:**  
J. CASTILLA C.